

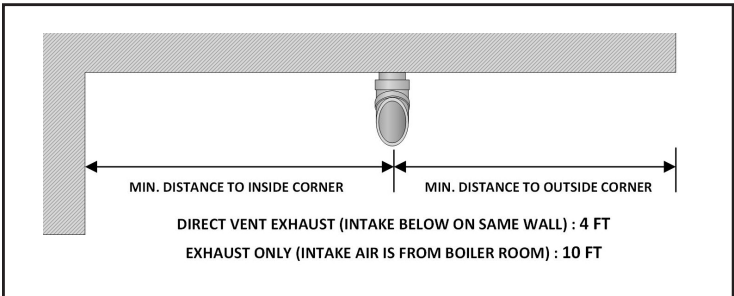
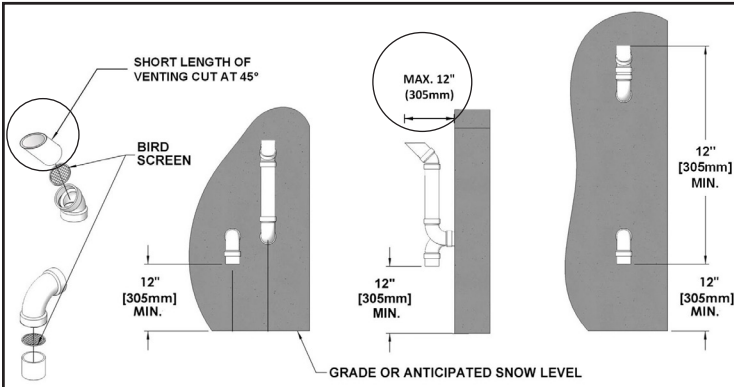
Boiler Mounting (Section 1.3 of the manual)

1. Ensure that the boiler's mounting bracket is securely bolted to the wall structure.
2. Fasten the bottom of the boiler to the wall (see adjacent illustration).

Venting (Sections 1.4.3 and 1.4.7)

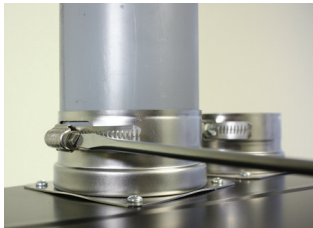
Follow the venting specifications and information for the correct venting material and venting length provided in the above sections of the manual.

Important: Use appropriate appliance adapters when using PPs or stainless steel venting.



- Ensure that sidewall configurations have adequate vertical separation, and that exhaust plumes are well away from all building air intake vents.
- Ensure that all venting material is sloped towards the boiler. PP venting must be sloped at a minimum of 5/8" per foot to ensure that no leaks occur via gaskets.
- Ensure that PPs venting is supported every 36" (min).
- On longer horizontal runs, increase the grade to 3/8" or more.
- Fully insert the approved venting material into the boiler's exhaust outlet, and tighten the clamp to ensure the venting connection is locked in place.

- Check that the venting is securely attached to the exhaust flue of the boiler by pulling on the venting.



Condensate Trap (Section 1.5.2)

1. At the bottom of the boiler, remove the trap door.
2. Fill the trap assembly with water.
3. Attach the trap to the drain spout.
4. Re-install the trap door.
5. Check for leaks.

Important: Not for construction heating such as fouled fans, burners, and ignitors not covered under warranty.

Gas Supply (Section 1.7)

For gas delivery to the boiler, we recommend using hard piping rather than flexible piping. If you use flexible piping, ensure that the gas pipe size is appropriate for the maximum BTU input of the boiler.

Minimum Gas Pressure	4" w.c.
Maximum Gas Pressure	14" w.c.

Size piping for sufficient sustained gas delivery at sufficient pressure to the boiler.

Recommended Supply Pressure at Full Load	
Natural Gas	7"
Propane	10"

- Ensure that there is a minimum of 6 feet of piping between the boiler and gas regulators.
- Use a manometer to test that gas delivered to the boiler is delivered at sufficient pressure and that "lock up" does not exceed the maximum pressure.
- If using a 5 psi to inches vented gas regulator, always oversize the vent pipe to prevent hunting of the gas regulator when boilers are firing at lower output levels.
- In retrofits with existing copper gas pipes, clean and clear the gas piping of any debris before connecting to the boiler. Failure to do so can result in a blocked gas valve. and inconsistent performance.

Maximum Pipe Length by Mode	3/4" IPS	1" IPS	1-1/4" IPS	1-1/2" IPS
SL 26-260 G3 (Natural Gas)	20'	80'	300'	600'
SL 26-260 G3 (Propane)	70'	200'	800'	1600'
SL 40-399 G3 (Natural Gas)	10'	40'	150'	300'
SL 40-399 G3 (Propane)	30'	100'	400'	900'

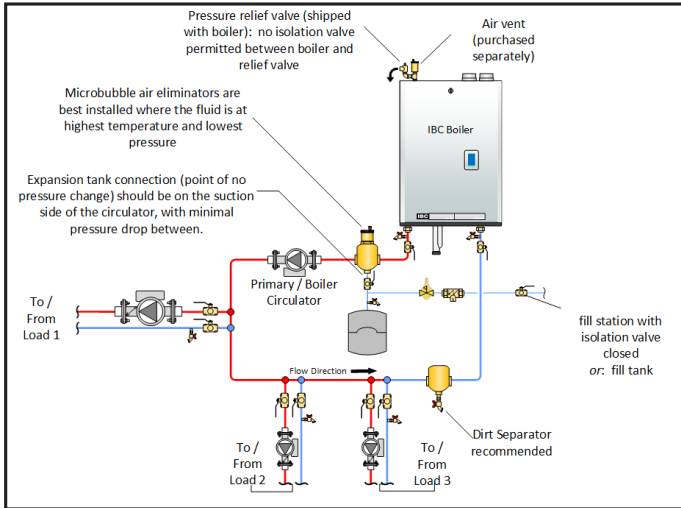
LWCO Errors

- To clear LWCO errors caused by air:
1. Ensure that there is no air trapped in the boiler and boiler piping.
 2. On the touchscreen controller Main Menu, go to **Diagnostics > Advanced Diagnostics > Clear System Errors > Yes > OK.**

Important: Before turning off the boiler, make sure it is in "Standby" mode.

Water Piping (Section 1.6)

We recommend that you always use a primary/secondary piping configuration (see below for a basic configuration).



In the case of hard water, use distilled or purified water. Glycol systems require the use of propylene glycol. For large volume systems, the optimum hardness is ≤ 2 grains.

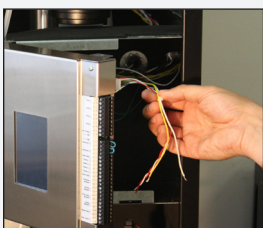
Water Chemistry Allowable Limits	
Acidity pH	6.6 - 8.5
Chloride	< 125 mg/l
Iron	< 0.5 mg/l
Cu	< 0.1 mg/l
Conductivity	< 400 μ S/cm (at 25°C)
Water Hardness	< 7 Grains

- Place air separators at the highest point.
- Install the pressure relief valve in a vertical position. Do not use an isolation valve between the boiler and relief valve.
- Support all piping with appropriate piping brackets.
- Plumb an appropriately sized expansion tank and make up the water station into a fitting on the suction side of the circulator.
- Size boiler piping and pumps for the BTU output of the boiler.

For non-oxygen barrier piping systems, use a dirt separator and/or a side stream filter. Ensure that the system is free of iron components, and treat with an inhibitor.

Electrical (Section 1.8)

1. Connect the boiler to a dedicated (max.) 15 Amp breaker.
2. Wire the AC to the black and white wires labeled in the Field wiring box.
3. Ensure that the boiler is properly bonded (grounded).



Refer to the “Wiring Diagrams” section in the *Installation and Operating Instructions* manual (Pages 6-8) for more information.

4. Wire the primary/boiler pump to the yellow and white wires labeled “Primary Pump”.
5. Wire the respective load pumps into the TB1 Terminal; for example, PV1, 2, 3, 4.

Electrical continued (Section 1.8)

6. Wire thermostats or end switch dry contacts to Therm 24 Vac, and then connect the other wire to Therm 1, 2, 3, 4 corresponding to the load pump PV1, 2, 3, 4.
7. For a DHW load, wire either an Aquastat to the appropriate Therm. connection or a 10K Ω type II/B curve thermister to the DHW sensor connection.

The boiler requires proper grounding, which conforms to all electrical codes, ensuring proper flame rectification.

- For multiple-boiler setup, use a secondary loop sensor.
- For zone valves or external peripherals, use external transformers.

Note: If a load is defined as Reset Heating, the outdoor sensor must be used for proper operation.

Express Setup

1. On the V-10 Touchscreen controller, tap the **Home** (Standby) screen > **Main Menu** > **Express Setup**.
2. Do the following:
 - a. Tap the **Enter Design Outdoor Temperature** box, and enter a value.
 - b. Tap **Set Clock** to set the time and date.
 - c. Tap **Save**.
4. Select a load and then select the load type.
5. Accept the defaults, or change any of the settings. You can find more substantial settings in “Installer Settings”.
6. Tap the **Save** button.

Manual Pump Purge

After the system is pressurized and you have defined loads, perform a manual pump purge to ensure air is purged.

On the touchscreen controller, go to **Main Menu** > **Installer Settings** > **System Settings** > **Site Settings** > Set **Manual Pump Purge** to “ON” > **OK** > **Save**.

The manual pump purge runs until it is turned off, or when there is a call for heat.

Checklist

Treated water or Polypropylene glycol mixture in the pipes.	<input type="checkbox"/>
Boiler system is pressurized and flushed ≥ 8 psi.	<input type="checkbox"/>
All gas connections soap-tested for leaks and now leak free.	<input type="checkbox"/>
Voltage supply to the boiler tested for voltage (nominal 120 Vac), polarity, and properly grounded.	<input type="checkbox"/>
The boiler requires a dry set of contacts in the Therm connections.	<input type="checkbox"/>
Boiler power turned on.	<input type="checkbox"/>
Use the “Express Setup” in the touchscreen controller to set up the required loads. See above for instructions.	<input type="checkbox"/>
Steps followed in the “3.3 Commissioning” section of the <i>Installation and Operating Instructions</i> manual.	<input type="checkbox"/>
Completed the Installation & Commissioning Report in the Installation and Operating Instructions manual - Combustion Readings recorded.	<input type="checkbox"/>
CO ₂ _____ % O ₂ _____ % CO _____ ppm	