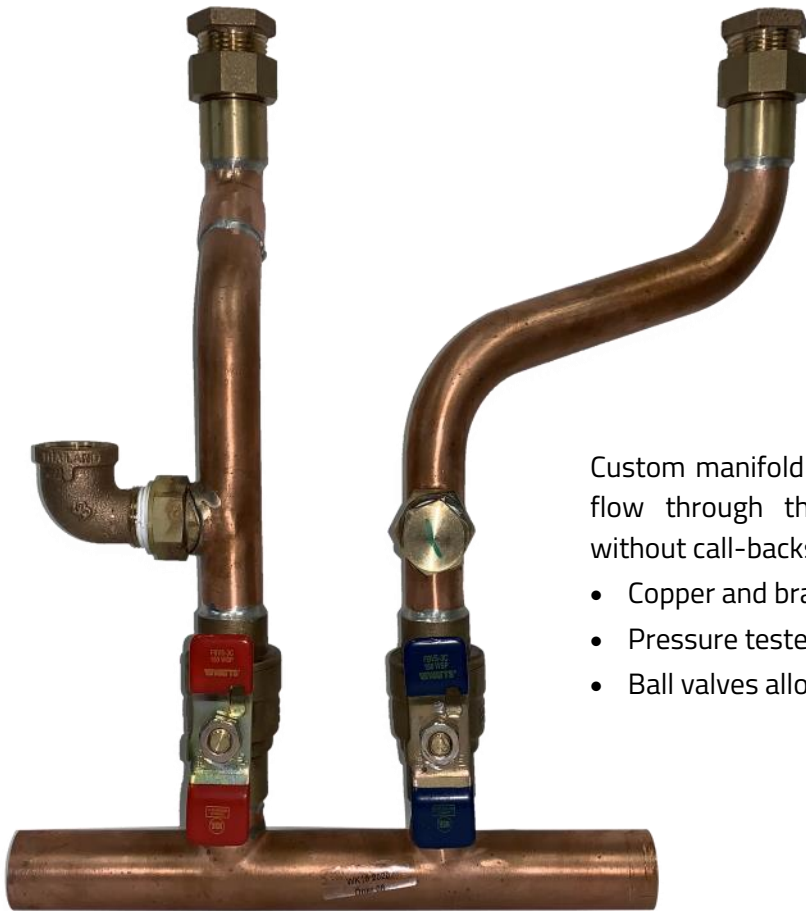


EZ PIPE MANIFOLD



Primary / Secondary Piping Manifold

Designed for models:

SFC SUPERFLOW
SFB SUPERFLOW

Custom manifold comes "Installation Ready" and ensures proper flow through the boiler for maximum system performance without call-backs.

- Copper and brass construction
- Pressure tested to ensure a leak free installation
- Ball valves allow for easy maintenance

Save Time - Save Money

IBC[®]

EZ PIPE MANIFOLD

Part# 251-063
US List Price: \$377.11

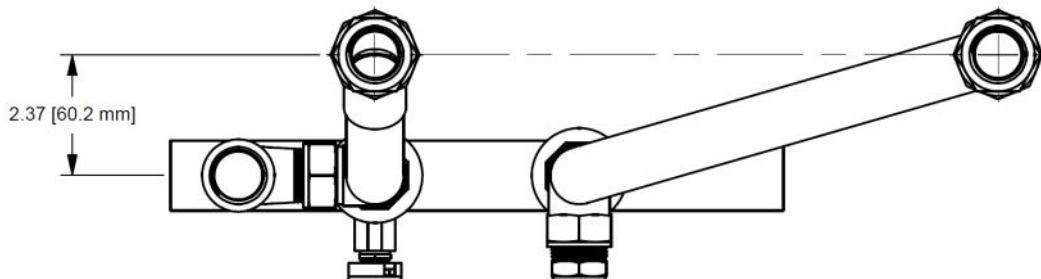
SFC 99, SFC 125 SUPERFLOW

Part# 251-064
US List Price: \$386.04

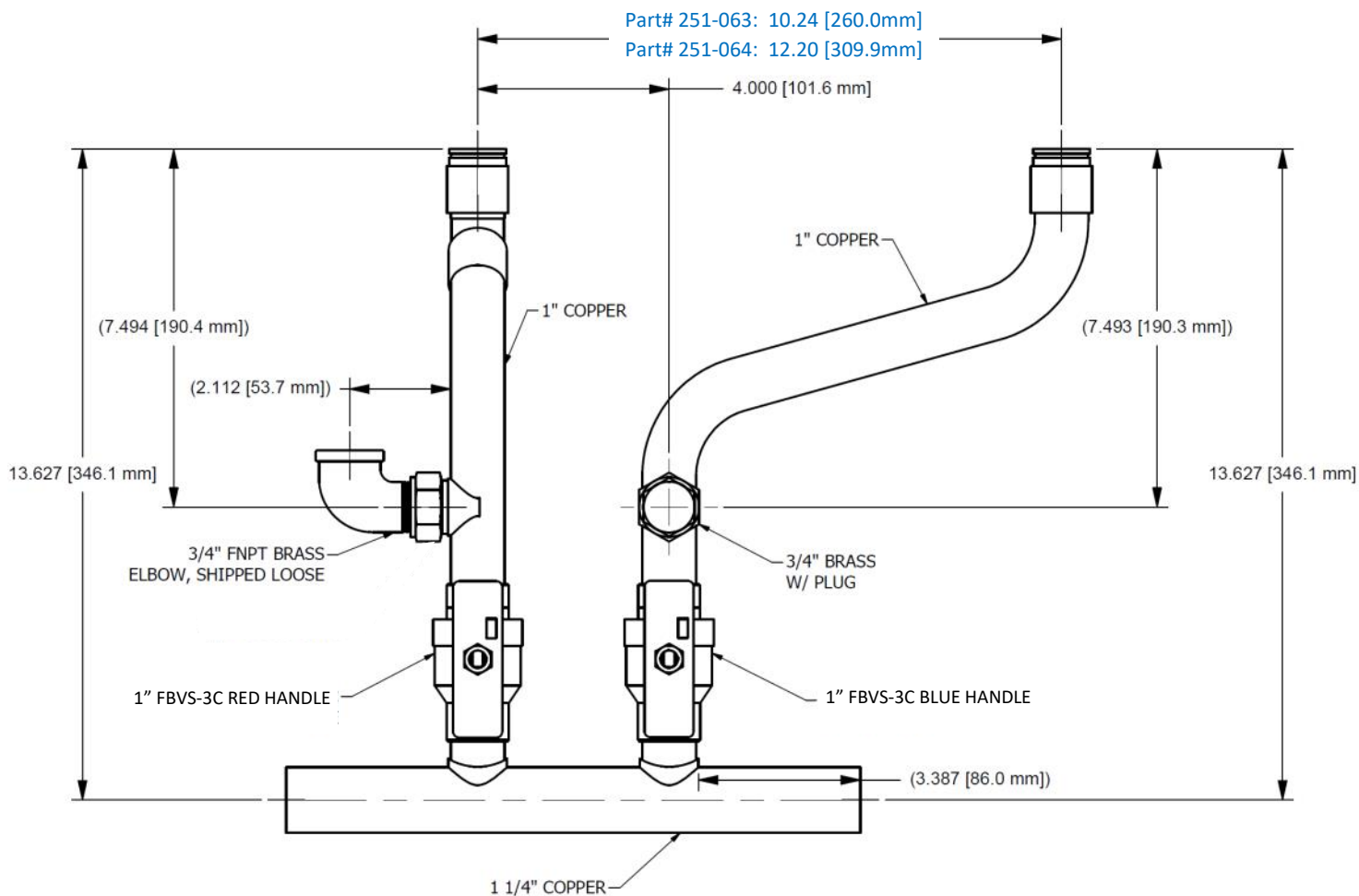
SFC 199 SUPERFLOW



2 x EZ Pipe gaskets included



BUSHING, UNION NUTS, RETAINING RINGS, AND GASKETS NOT SHOWN



NOTES:

- Not approved for potable applications
- Dimensions in (parenthesis) are for reference only
- All other dimensions considered critical

www.ibcboiler.com

Save Time - Save Money

IBC[®]